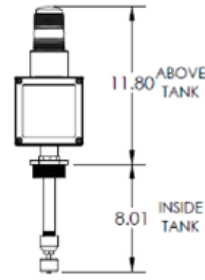


Eastern Reliability's High Level Float Switch is a convenient solution to help prevent overfilling your containers. The magnetic float switch activates when fluid level pushes the float up, closing the switch, and activating a warning light notifying user that liquid level has reached the float switch height.

### Direct Mount Product Description

#### HLFSDM Standard Assembly:

- SS magnetic float switch\*
- 6" container drop down stem\*
- 2" threaded bulkhead plug
- NEMA 4X rated wiring box (no holes)
- NEMA 4X rated red flashing warning light
- 8' power supply NEMA 1-15 plug, 16GA, SJTW\*



**Note: Parts marked with \* have additional sizes and types for additional cost**

This High-Level Float Switch variation is set up to be mounted as a full assembly on top of tank using a 2" bulkhead fitting. This unit comes pre-assembled in sub-assemblies with no holes in wiring box. This is up to consumer to drill out holes based on what their specific orientation needs are. The warning light and box are normally mounted in line with lower assembly, consolidating this unit on top of the container.

#### HLFSDM Standard Assembly Material and Specifications:

##### Wiring Box and Light Assembly

- Plastic wiring box 5x5x3 NEMA 4X rated
- Power supply 110v 1-15 plug 16GA wire 8' length
  - ◇ Longer cord lengths can be requested for additional cost
  - ◇ Red flashing warning light NEMA 4x rated

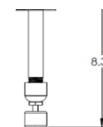
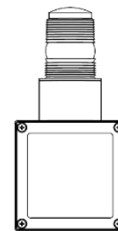
##### Stem Assembly

- Material: SCH 80 PVC
- Bulkhead plug threaded for 2" bulkhead fitting

##### Top-Mount Float Switch

(Multiple Variations available see last page)

- Material- SS
- 1/2" Deviation for switch activation
- Review a Chemical Compatibility Chart for float material for your individual needs
  - ◇ Other variations and materials for switch available per request at additional cost



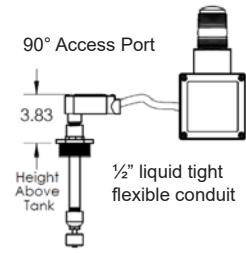
### High Level Float Switch

- High level float switch allows for use in variety of chemicals
- Multiple variations including direct mount or wall mount for warning light

## Wall Mount Product Description

### HLFSDM Standard Assembly:

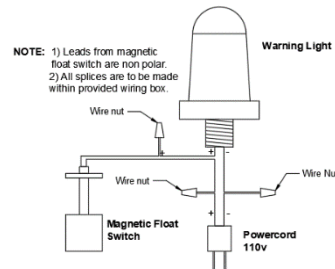
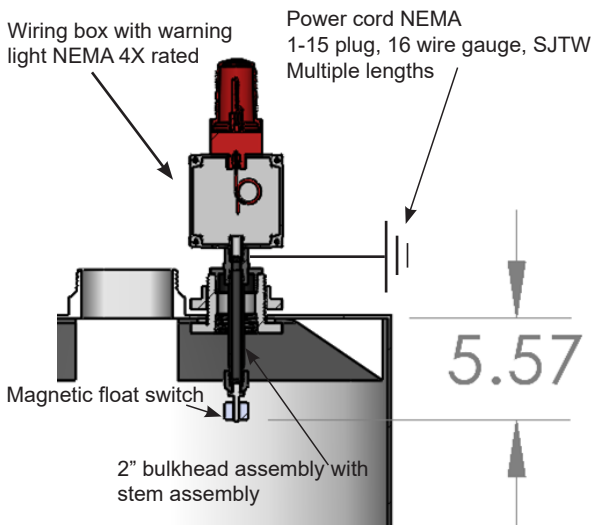
- SS magnetic float switch\*
- 6" container drop down stem\*
- 2" threaded bulkhead plug
- Right angle access port 1/2" NPT
- 1/2" liquid tight flexible conduit with push in connectors\*
- NEMA 4X rated wiring box (no holes)
- NEMA 4X rated red flashing warning light
- 6' power cord NEMA 1-15 plug, 16GA, SJTW\*



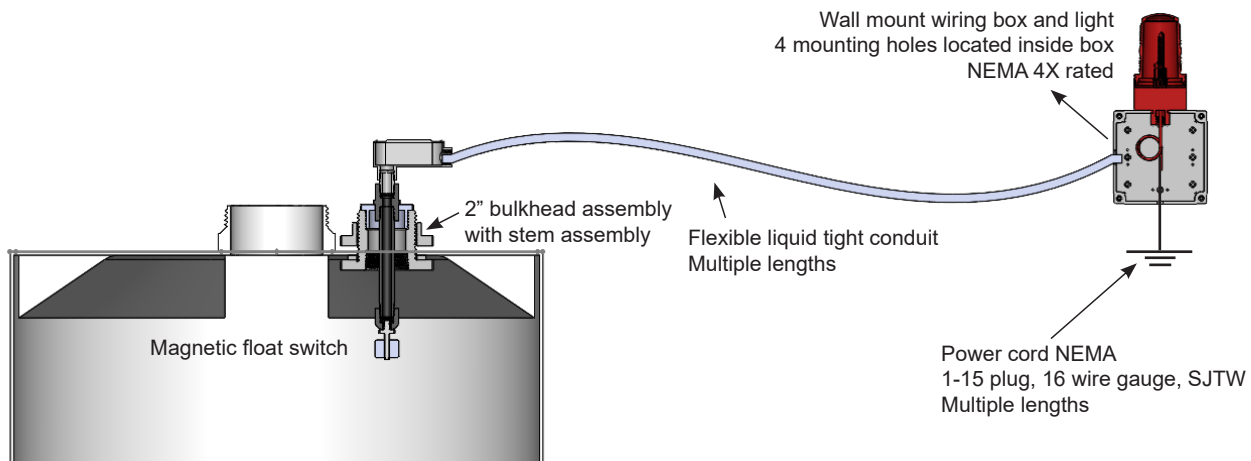
**Note: Parts marked with \* have additional sizes and types for additional cost**

This High-Level Float Switch Wall Mount variation is set up to have the wiring box and light mounted away from the tank. This unit comes pre-assembled in sub-assemblies with no holes in wiring box. This is up to consumer to drill out holes based on what their specific orientation needs are. This unit is designed for users that need the warning light visible in a different location, not directly mounted on top of the tank like the direct mount.

### Direct Mount Cross Section View



Wiring Schematic



### Wall Mount Cross Section View

# ORDERING INFORMATION

## Model ER-(HLFS/HLFSWM)

### HLFS High Level Float System Direct Mount

#### Switch Type:

- 01- Top Mount PP Switch
- 02- SS/SS Magnetic Float Switch
- 03- Sm SS/Buna Float Switch
- 04- Med SS/Buna Float Switch
- 05- Lrg SS/Buna Float Switch
- 06- PP Conical Float
- 07- Heavy Duty Conical Float
- 08- pp Low Profile Float
- 09- Vibrating Fork
- 00- Other Options Available

#### Stem Length:

- S06- 6" Length
- S12- 12" Length
- S18- 18" Length
- SXX- Custom Length

#### Power Cord Length:

- P06- 6" Length
- P08- 8" Length
- P20- 20" Length
- PXX- Custom Length

HLFS 01

S06

P06

Typical Product # (i.e., ER-HLFS-02-S06-P08)

### HLFSWM High Level Float System Wall Mount

#### Switch Type:

- 01- Top Mount PP Switch
- 02- SS/SS Magnetic Float Switch
- 03- Sm SS/Buna Float Switch
- 04- Med SS/Buna Float Switch
- 05- Lrg SS/Buna Float Switch
- 06- PP Conical Float
- 07- Heavy Duty Conical Float
- 08- pp Low Profile Float
- 09- Vibrating Fork

#### Stem Length:

- S06- 6" Length
- S12- 12" Length
- S18- 18" Length
- SXX- Custom Length

#### Liquid Tight Conduit

- S06- 6" Length
- S12- 12" Length
- S18- 18" Length
- SXX- Custom Length

#### Power Cord Length:

- P06- 6" Length
- P08- 8" Length
- P20- 20" Length
- PXX- Custom Length

HLFSWM 02

S06

L10

P08

Typical Product # (i.e., ER-HLFSWM-02-S06--L10-P08)